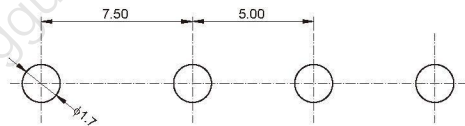


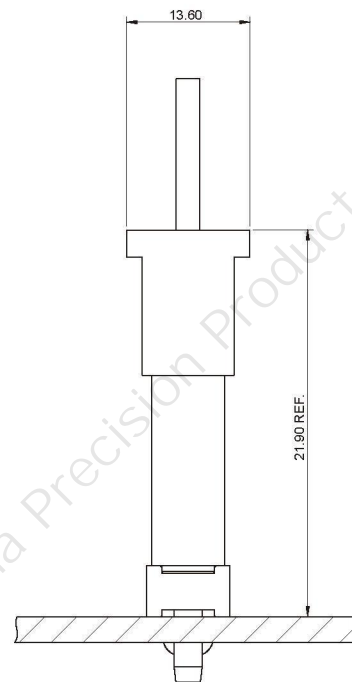
■ **Specifications**

- Contact resistance: $\leq 10\text{m}\Omega$
- Insulation resistance: $\geq 1000\text{M}\Omega$
- Rated voltage: 250V AC DC
- Rated current: 5.0A AC DC
- Withstand voltage: 1500V AC/minute
- Temperature range: $-25^{\circ}\text{C} \sim +85^{\circ}\text{C}$

■ **Assembly Layout**



P.C.B LAYOUT



WIRE TO BOARD
BOARD TO BOARD
WIRE TO WIRE
FPC SERIES
THR SERIES
LIGHTING SERIES
OTHER SERIES

A7501 SERIES

7.50mm pitch wire to board connector

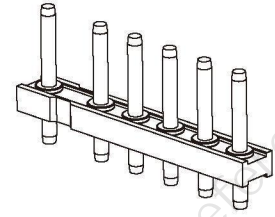
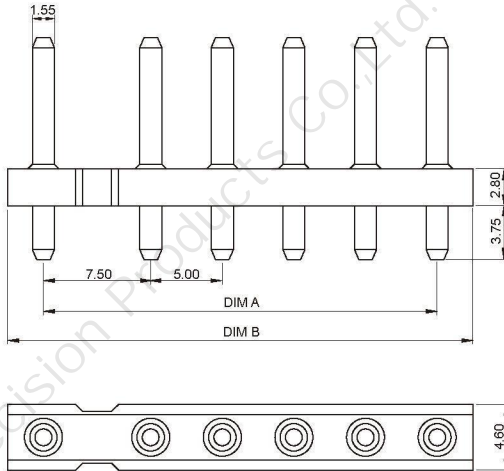
A7501A (7.50/5.0mm pitch 180°Wafer DIP TYPE)

■ Reference Information:

Material: Pin: Brass/Tin-plated

Wafer: PA66,UL94V-0(2)

Mates with A7501 series Housing



Ordering Information & Dimensions:

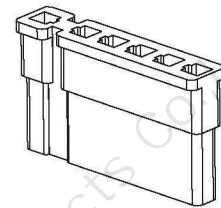
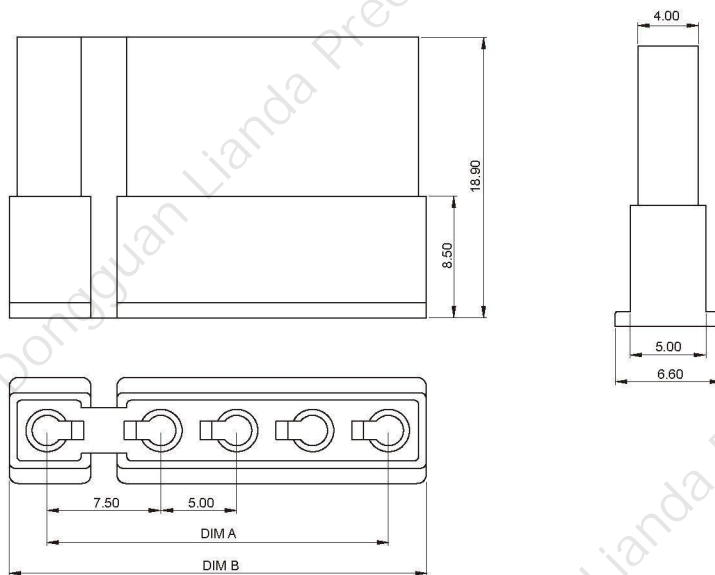
Circuit	Dimensions(mm)	
	A	B
02	7.50	12.60
03	12.50	17.60
04	17.50	22.60
05	22.20	27.60
06	27.50	32.60

A7501Y (7.50/5.0mm pitch Housing)

■ Reference Information:

Material: PA66,UL94V-0(2)

Mates with A7501 series Wafer



Ordering Information & Dimensions:

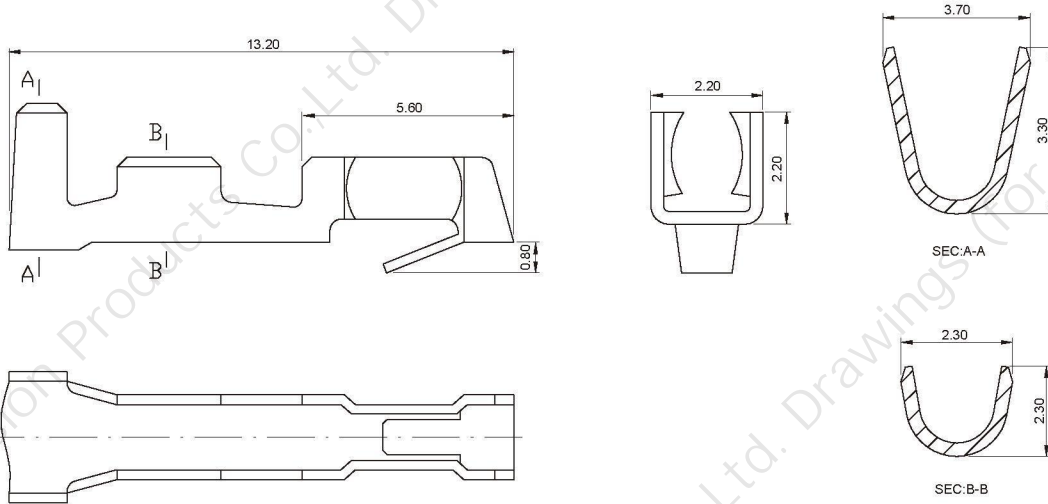
Circuit	Dimensions(mm)	
	A	B
02	7.50	12.50
03	12.50	17.50
04	17.50	22.50
05	22.20	27.50
06	27.50	32.50

A7501 SERIES

7.50mm pitch wire to board connector

A7501T (7.50mm pitch Terminal)

- Reference Information:
Used in A7501 series Housing



Ordering Information & Dimensions:

Part No	Wire Range	Insulation O.D.	Material	Finish	Qty/Reel
A7501T	AWG #20~#26	2.70mm(max)	Phosphor bronze	Tin-plated	5000PCS

WIRE TO BOARD

BOARD TO BOARD

WIRE TO WIRE

FPC SERIES

THR SERIES

LIGHTING SERIES

OTHER SERIES